

THYRISTOR SINGLE-PHASE POWER REGULATOR

MPI SERIES



Special Features

- Control Method Phase Control·Zero-Cross Switching Cycle Operation Control
- Multi-Input Current · Voltage · Contact · Voltage Pulse (SSR Drive Voltage)
- You can choose either a phase control or zero-cross switching cycle operation control in both cases of contact proportion input and voltage pulse (SSR drive voltage) input
- Input/output values and many kinds of parameters are displayed
- Output soft-start / slow-up / slow-down function is equipped as a standard function. (0.00~25.0s)
- Free Voltage (100~240V AC)
- Automatic Distinction of Power Supply Frequency Range : 45~65Hz

Specification

Display

- (1) **Display Type** : Digital display 7-segment red LED
1+3 digits(character height 10mm)
Key function on the front panel displays values and settings.
- (2) **Kinds of Display** : Output value · Control input value ·
Higher limit(grade)value to be set via an external device ·
Lower limit value to be set via an external device

Setting

- (1) **How to Set** : By using keys on the front panel or an external variable resistor
- (2) **Setting Parameter** : Options of setting method
Phase control angle / Phase control voltage square / Zero-cross switching cycle operation control
 - : Higher limit(grade)setting 0~100%
 - : Lower limit setting 0~100%
 - : Soft-start timer setting 0~25.0s
 - : Slow-up timer setting 0~25.0s
 - : Slow-down timer setting 0~25.0s
 - : Options of input method
Voltage / Current / Contact / Voltage pulse
 - : Input sampling cycle setting 0 or 1~120s
(In the case of contact or voltage pulse input, 0s-setting responds to two-position control and 1s-or-more-setting responds to proportional control with the setting value double the time of proportional cycle of the regulator.)

Power Supply

- (1) **Rated Voltage** : 90~264V AC (free voltage)
- (2) **Rated Frequency** : 45~65Hz

Control Input

- (1) **Types of Input** : I 1—Current 1 4~20mA DC
(Multi-input) Receiving impedance approx. 100Ω
 - : I 2—Current 2 0~20mA DC
Receiving impedance approx. 100Ω
 - : V 1—Voltage 1 1~5V DC
Input impedance approx. 500kΩ
 - : V 2—Voltage 2 0~5V DC
Input impedance approx. 500kΩ
 - : C 1—Contact No-voltage contact or open collector
Sink load 5V 3mA DC
 - : S 1—Voltage pulse(SSR drive)
12V 3mA DC
- (the other input) : V3—Voltage 3 0~10V DC
Input impedance approx. 370kΩ

※In the case of C1 or S1 input, the regulator responds to both two-position and proportional control.

(2) Sampling Cycle

- Contact or voltage pulse input : Two-position control 2ms
Proportional control 1~120s
- Current or voltage input : 2 / control power supply frequency

Output

(1) Current-carrying Capacity

5 types : 20A, 30A, 50A, 70A, 100A

(2) Output Range

: 0~98% or more of an input voltage

(3) Control Method

3 types : Phase control angle / Phase control voltage square / Zero-cross switching cycle operation control

(4) Lowest Load Current

: 0.5A(in the case of output 98%)

(5) Applicable Load

Phase Control : Resistive load
Zero-cross switching cycle operation control
: Fixed resistive load

Accessory

(1) External Variable Resistor

Higher Limit(grade) : 0~100%(B10kΩ)
Lower Limit : 0~100%(B10kΩ)

(2) Immediately-cut Fuse

: External Installation

General Specification

(1) Data Storage

: Non-volatile memory(EEPROM)

(2) Use Environment

Temperature : 0~55°C(Guaranteed range for operation)
0~40°C(Guaranteed range for efficiency)

Humidity : Below 90%Rh(No condensation)

Altitude : 2000m above sea level max.

Category : II

Pollution degree : 2

(3) Input Noise

Normal : 50dB min.

Ratio of rejection

Common : 100dB min.

(4) Insulation Resistance

Between input and power supply : 20MΩ min. 500V DC per minute

Between input and chassis : 20MΩ min. 500V DC per minute

(5) Dielectric Strength

Between input and output : 2300V AC per minute

Between input and chassis : 1500V AC per minute

(6) Storage Temperature

: -20~65°C

(7) External Dimension

: Refer to External dimension drawing

(8) Weight

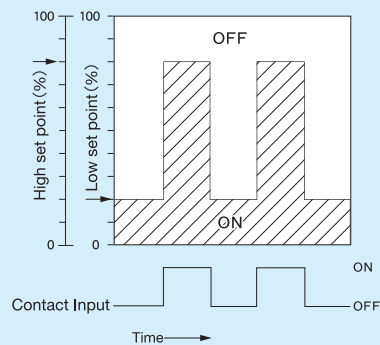
: 20A approx. 0.6kg · 30A approx. 0.7kg

50A approx. 1.2kg

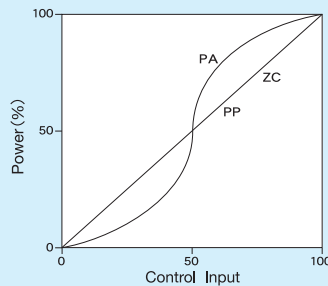
70A approx. 1.8kg · 100A approx. 2.3kg

Performance Characteristics

- Output characteristics of higher/lower limit setting and contact input
(An example of HIGH 80% and LOW 20% setting)



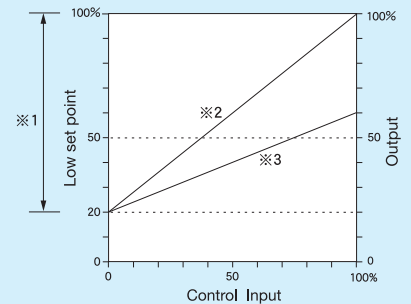
- Output characteristics according to control types



Z C Zero-cross switching cycle operation : Straight line
P P Phase control voltage square : Mostly straight line
P A Phase control angle : S curve

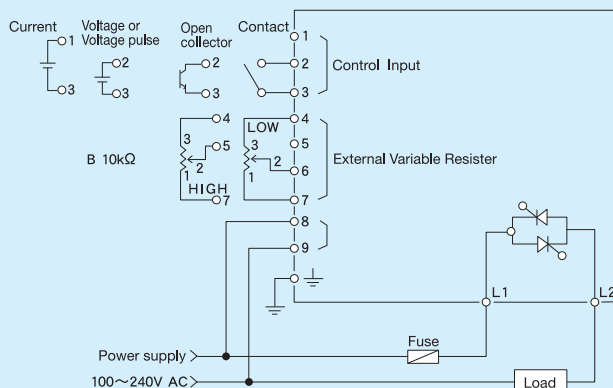
In the case of fixed impedance load

- Characteristics of higher limit(grade) · lower limit setting



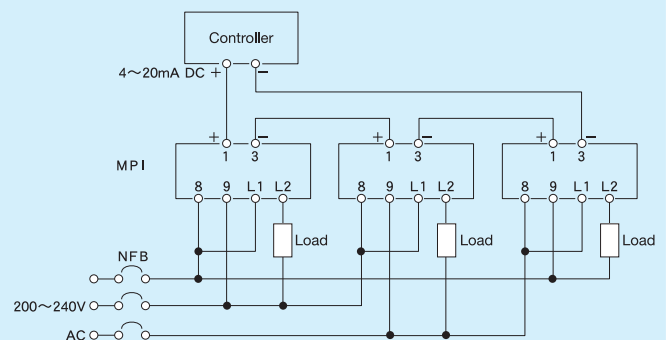
※1 Setting range of HIGH SET in the case of lower limit setting 20%
※2 Output characteristics in the case of HIGH SET(grade) setting 100%
※3 Output characteristics in the case of HIGH SET(grade) setting 50%

- Standard wiring



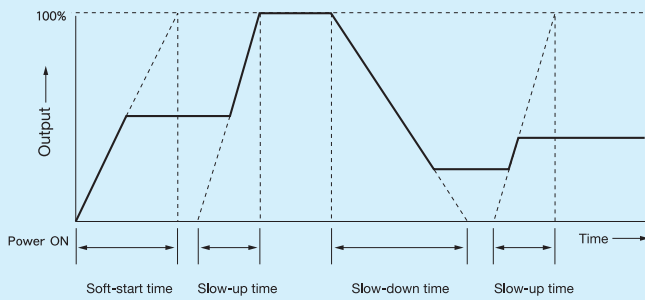
Higher limit(HIGH) and lower limit(LOW) can be set by key operation even when an external variable resistor is not installed.

- An example of three MP1s interlocked to one controller

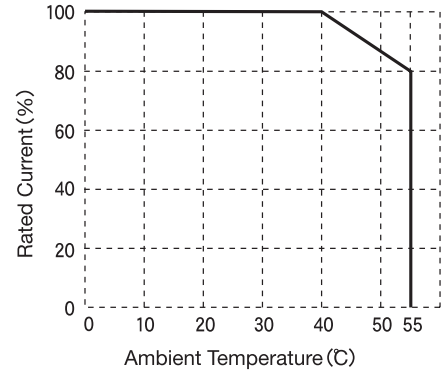


● Soft-start/Slow-up/Slow-down function

This function restrains a sudden change of output to the load when there is a sudden change of control input or setting happening, and makes the output flow gradually. Soft-start/Slow-up/Slow-down time is set to output 0~100%.



■ Ambient Temperature Characteristic Chart



Internal heating value of MP1 is approximately as follows. Follow the set-up space and use environment. Keep in mind that the set-up site needs to be ventilated and the radiated heat needs to be relieved.

Current-carrying capacity	20 A	30 A	50 A	70 A	100 A
Heating value	2.4 W	4.0 W	5.6 W	7.9 W	10.9 W

■ Order Code Table

Item	Code	Specification
1. Series	MP1-	
2. Control Input	M	Multi-Input <ul style="list-style-type: none"> · 4-20mA DC Input Impedance approx. 100Ω · 0-20mA DC Input Impedance approx. 100Ω · 1-5V DC Input Impedance approx. 500kΩ · 0-5V DC Input Impedance approx. 500kΩ · No-voltage Contact or Open Collector 5V 3mA DC · Voltage Pulse (SSR Drive Voltage) 12V 3mA DC
	V	Voltage 0-10V DC Input Impedance approx. 370kΩ
3. Current-carrying Capacity	020	20A
	030	30A
	050	50A
	070	70A
	100	100A
4. Remarks	0	Without
	9	With (Please consult before order)

If you need accessories, choose what you need from the code table below.

(Example) MP1-M0300-A021 (As an accessory, one set of external variable resistor comes with the body.)

● Accessory Code Table

5. Accessory	-A	When you want to order an accessory, put the code (-A) before an accessory code you need
6. A set of immediately-cut fuse (holder + fuse)	01A	Responding to 20A (250GH-32 (32A))
	01B	Responding to 30A (250GH-40 (40A))
	01C	Responding to 50A (250GH-63 (63A))
	01D	Responding to 70A (250GH-100 (100A))
	01E	Responding to 100A (350GH-125UL (125A))
7. A set of external variable resistor (variable resistor + scale + knob)	021	1 Set A set for setting a higher (grade) or lower limit
	022	2 Set A set for setting a higher (grade) and lower limit

If you need parts, choose what you need from the code table below.

● Parts Code Table

Item	Code	Specification
1. Fuse Holder	HT4017	Responding to Body 20A~70A
	HT5723	Responding to Body 100A
2. Fast acting fuse	250GH-32	Responding to Body 20A (32A)
	250GH-40	Responding to Body 30A (40A)
	250GH-63	Responding to Body 50A (63A)
	250GH-100	Responding to Body 70A (100A)
	350GH-125UL	Responding to Body 100A (125A)

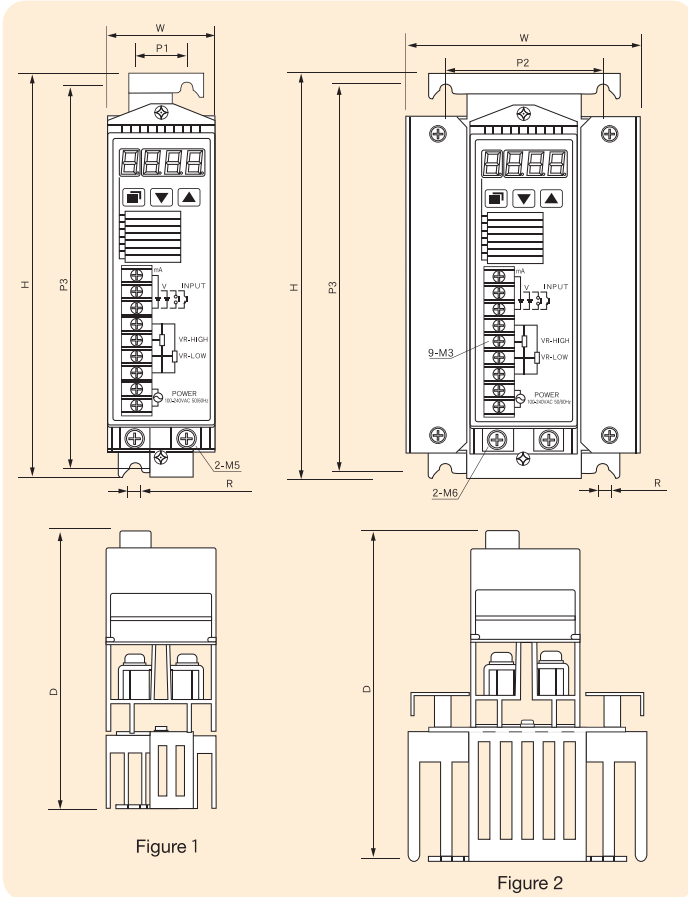
External Dimension Drawing

Body

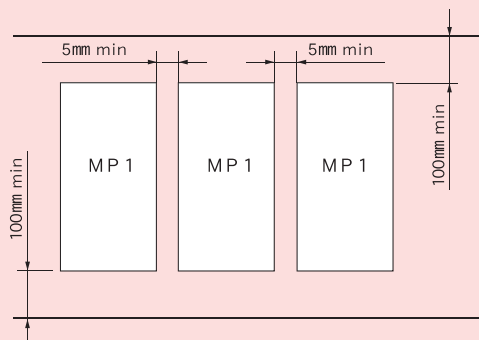
Dimension Table

unit : mm

	Exterior View	H	W	D	P1	P2	P3	R
20A	Figure 1	192.5±1	50±0.5	128±1	24±0.5		181±1	5.5±0.2
30A			50±0.5	128±1	24±0.5			
50A			60±0.5	154±1	28±0.5			
70A	Figure 2	192.5±1	110±0.5	154±1		75±0.3	181±1	5.5±0.2
100A			155±0.5	154±1		75±0.3		

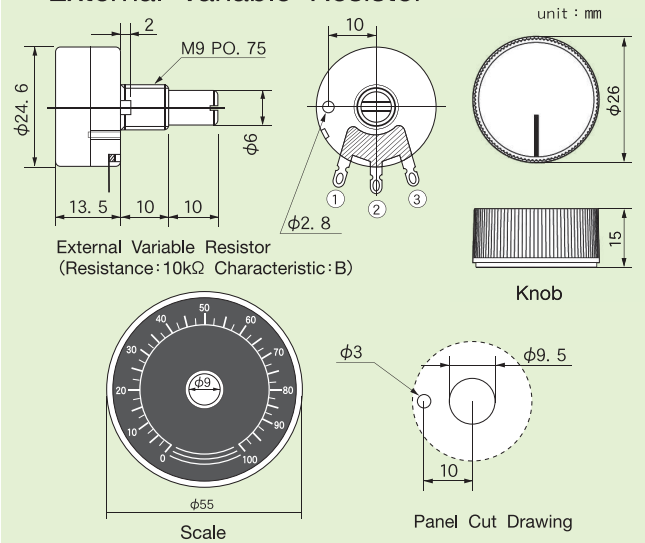


Set-up Space Drawing



Accessory

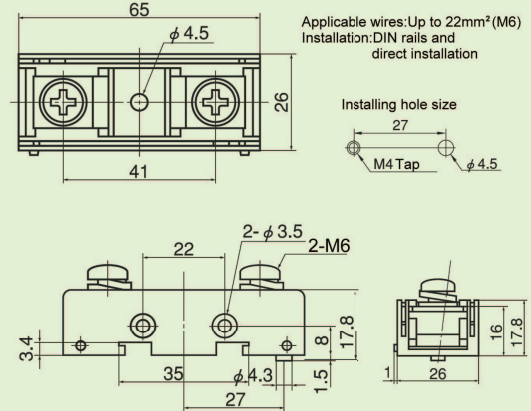
External Variable Resistor



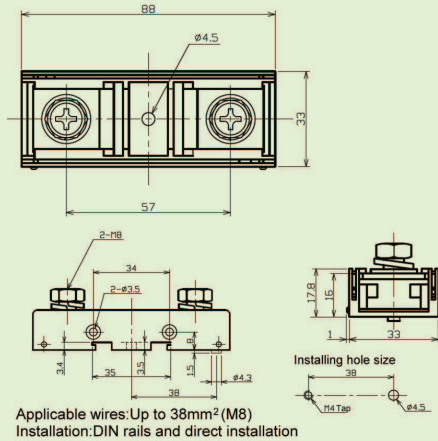
Fuse Holder

HT 4 0 1 7

unit : mm



HT 5 7 2 3



The contents of this instruction are subject to change without notice.

SHIMAX CO., LTD.

Head Office: 190 shimoniyachi, aza, yotsuya, Daisen-shi, Akita 014-0102, Japan

Phone: +81-187-86-3400 Facsimile: +81-187-62-6402

E-MAIL: info@shimax.co.jp URL: http://www.shimax.co.jp